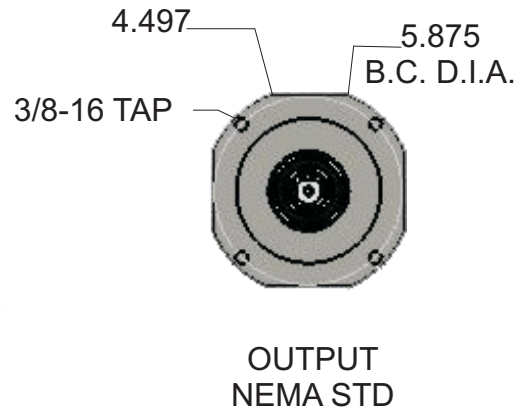
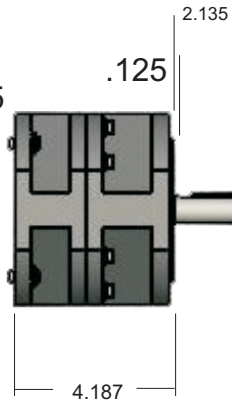
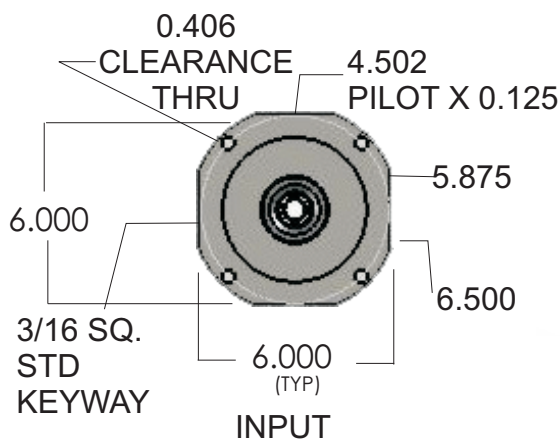
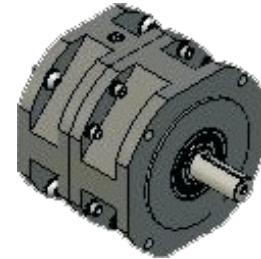
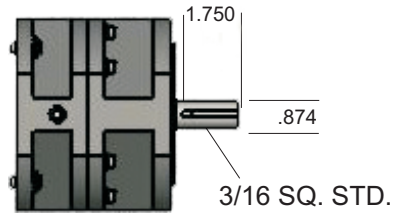
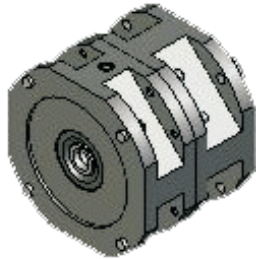


Contact Us

## 9:1 – 25:1



## *Specifications*

Model Type	Reduction Ratio	Output Torque (in-lbf)	Power Rating (HP)	Efficiency (%)	Noise (DBA)	Backlash (arc-min)	Weight (lbs)
GHP20-9	9:1	375	2.5	0.93	72	20-30	12.0
GHP20-12	12:1	400	2.5	0.93	72	20-30	12.0
GHP20-17	17:1	425	2.5	0.93	72	20-30	12.0
GHP20-25	25:1	450	2.5	0.86	72	20-30	14.2